

Type 004-G Miniature Sensor



Short description



- Aluminium bending miniature sensor
- High accuracy
- Used for electronic scales

Available models

Capacity	Accuracy	Full article description
0.3kg	0.02%	004-G-110*10*33-0.3kg
0.6kg	0.02%	004-G-110*10*33-0.6kg
0.75kg	0.02%	004-G-110*10*33-0.75kg
1.5kg	0.02%	004-G-110*10*33-1.5kg
3kg	0.02%	004-G-110*10*33-3kg

Specifications and dimensions are subject to change without notice and do not constitute any liability whatsoever.

Type 004-G Miniature Sensor

Detailed specifications 004-G

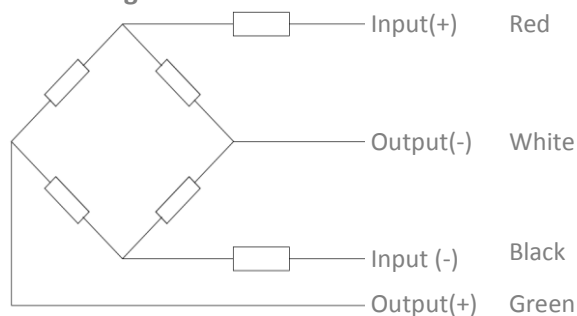
Accuracy class	of FS	0.02%
Output sensitivity (= FS)	mV/V	0.9±0.1
Maximum capacity (E _{max})	Kg	0.3, 0.6, 0.75, 1.5, 3
Temperature effect on zero	%FS/10°C	±0.1
Temperature effect on Sensitivity	%FS/10°C	±0.02
Minimum dead load	of E _{max}	0%
Safe overload	of E _{max}	150 %
Ultimate overload	of E _{max}	300%
Zero output	mV/V	≤ ± 0.02
Excitation, recommended voltage	V	5 ~ 9
Excitation maximum	V	10
Input resistance	Ω	405 ± 10
Output resistance	Ω	350 ± 10
Insulation resistance	MΩ	≥5000 (at 50VDC)
Compensated temperature	°C	-10 ~+40
Operating temperature	°C	-10 ~ +40
Storage temperature	°C	-20 ~ +65
Element material		Aluminium
Creep	%FS/30 min	±0.02
Non-linearity	%FS	±0.02
Repeatability	%FS	±0.02
Hysteresis	%FS	±0.02

Wiring

Wiring:

Shielded, 4 conductor cable
Standard cable length: 0.4m
Shield in not connected to the element.

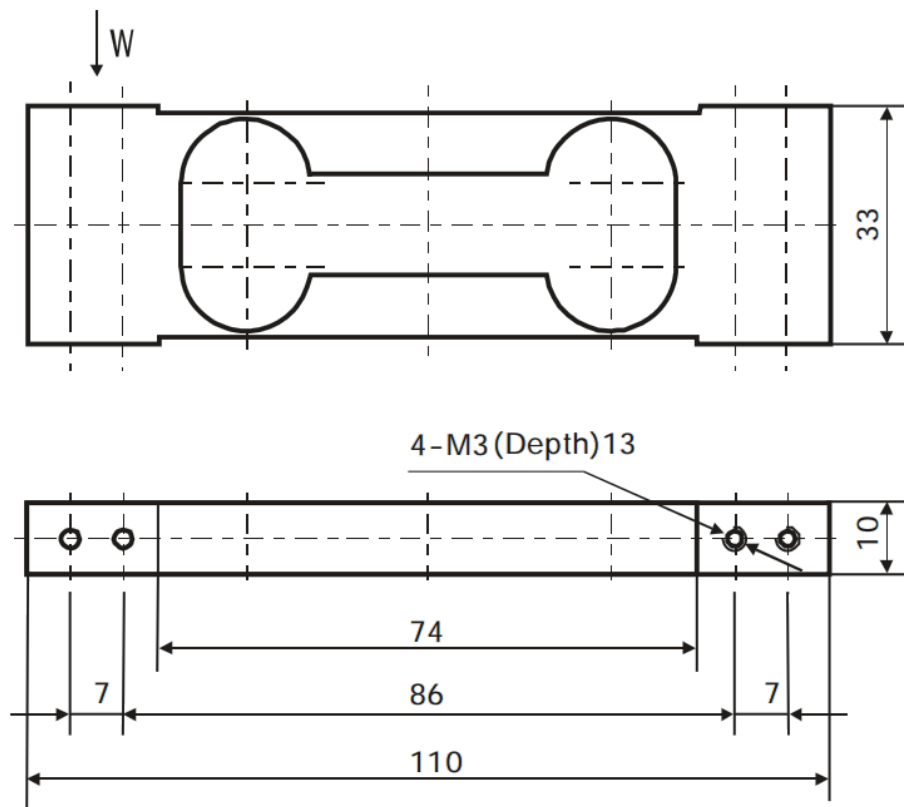
4-wire diagram



Specifications and dimensions are subject to change without notice and do not constitute any liability whatsoever.

Type 004-G Miniature Sensor

Dimensions in mm



Specifications and dimensions are subject to change without notice and do not constitute any liability whatsoever.