

# B6N

- Stainless steel IP67 single point load cell
- Bending beam
- Suitable for weighing equipment like platform and belt scales
- Maximum platform size: 400x400mm



## Features

- Capacities: 15kg~200kg
- High accuracy
- Low profile and easy installation
- OIML Cert. No.: R60/2000-NL1-11.27

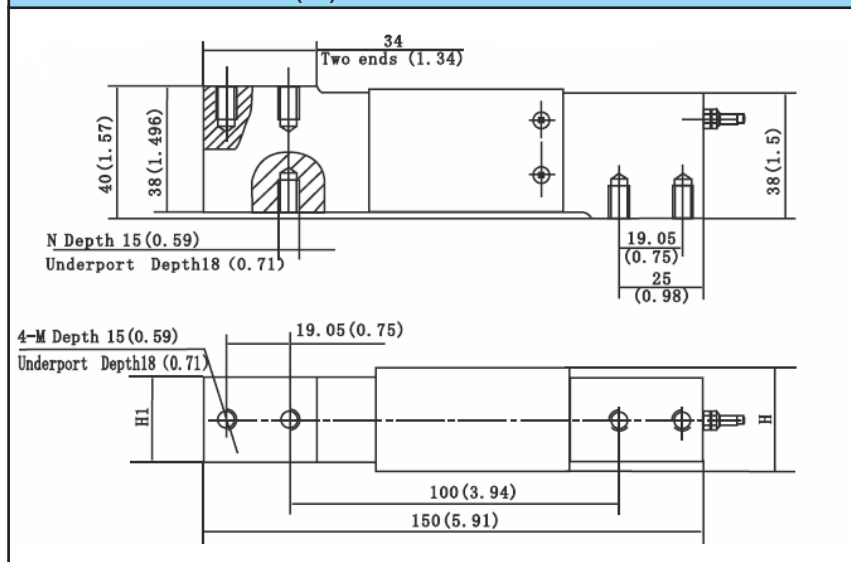


test certificate no. TC8009 Revision 0 and  
D09-10.10 C of C no R60/2000-NL1-11.27 and  
R60/2000-DE1-10.04

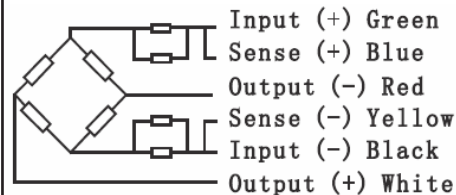
## Specifications

Capacity	kg	15/20/30/50/75/100/150/200
Accuracy		C3
Maximum Number of Verification Intervals	Nmax	3000
Minimum Number of Verification Intervals	Vmin	E <sub>max</sub> /10000
Output Sensitivity	(mV/V)	2.0±0.002
Input Resistance	(Ω)	384±4
Output Resistance	(Ω)	351±2.0
Insulation Resistance	(MΩ)	≥5000 (50VDC)
Zero Balance	(%FS)	1.5
Temperature, Compensated	(°C)	-10~+40
Temperature, Operating	(°C)	-35~+70
Excitation, Recommended	(V)	5~12 (DC)
Excitation, Max	(V)	18 (DC)
Safe Overload	(%FS)	150
Ultimate Overload	(%FS)	300

## Dimensions in mm (in)



## Wiring



- Shielded, 6 conductor cable
- Cable diameter: 0.2in
- Standard cable length: 1m
- Shield not connected to element