

# B8Q

- Stainless steel IP67 shear beam load cell
- Low profile
- Suitable for hopper, floor and other electronic scale

## Features

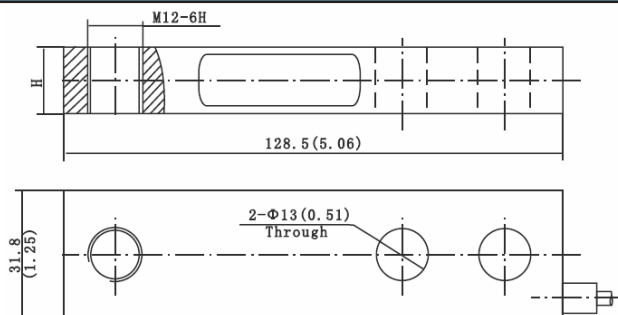
- Capacities: 500kg~2t
- High accuracy
- Stainless steel construction
- OIML Cert. No.: R60/2000-NL1-10.14
- NTEP Cert. No.: 12-029



## Specifications

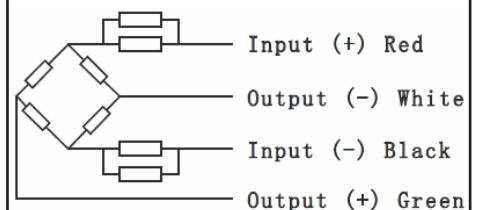
Capacity	t	0.5/1/2
Accuracy		C3
Maximum Number of Verification Intervals	Nmax	3000
Minimum Number of Verification Intervals	Vmin	E <sub>max</sub> /10000
Output Sensitivity	(mV/V)	2.0±0.002
Input Resistance	(Ω)	1000±5
Output Resistance	(Ω)	1000±3
Insulation Resistance	(MΩ)	≥5000 (50VDC)
Zero Balance	(%FS)	1
Temperature, Compensated	(°C)	-10~+40
Temperature, Operating	(°C)	-35~+70
Excitation, Recommended	(V)	5~12 (DC)
Excitation, Max	(V)	18 (DC)
Safe Overload	(%FS)	150
Ultimate Overload	(%FS)	300

## Dimensions in mm (in)



Capacity	H
200 kg	12.7
500 kg	15.9
1000 kg	19.1
2000kg	25.4

## Wiring



- Shielded, 4 conductor cable
- Cable diameter: 0.2in
- Standard cable length: 4m
- Shield not connected to element