

# BM24R

- Stainless steel IP68 low profile load cell
- Hermetically sealed
- Suitable for hopper, platform, and pallet scales

### Features

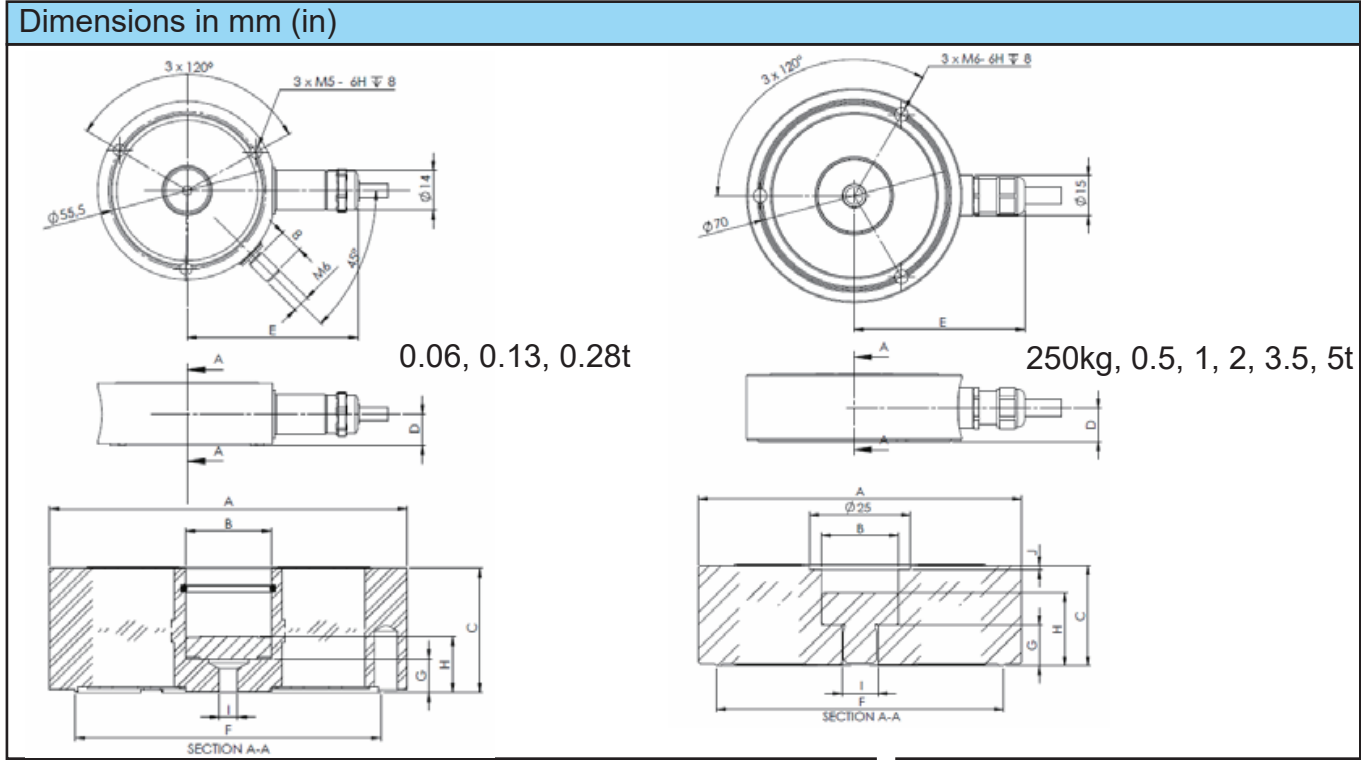
- Capacities: 60kg~60t
- OIML Cert. No.: R60/2000-NL-11.21
- High accuracy
- NTEP Cert. No.: CC11-103A1

Specifications						
Capacity	ton	60kg/130kg/250kg/280kg/500kg/1t/2t/3.5t/5t/10t/13t/28t/60t				
Accuracy		C3				
Maximum Number of Verification Intervals	Nmax	3000				
Minimum Load Cell Verification Intervals	Vmin	Emax/10000				
Output Sensitivity	(mV/V)	60kg/130kg/280kg	250kg		500kg~60t	
		1.0±0.1	1.75±0.1		2.0±0.1	
Input Resistance	(Ω)	60kg/130kg/280kg	250kg/500kg~10t	13t	28t	60t
		1260±100	1100±100	1200±100	1075±100	1350±100
Output Resistance	(Ω)	60kg/130kg/280kg	250kg/500kg~10t	13t	28t	60t
		1020±0.5	1025±25	1000±0.5	930±0.5	1175±0.5
Insulation Resistance	(MΩ)	≥5000 (50VDC)				
Zero Balance	(%FS)	1.0				
Temperature, Compensated	(°C)	-10~+40				
Temperature, Operating	(°C)	-30~+70				
Excitation, Recommended	(V)	5~12 (DC)				
Excitation, Max	(V)	18 (DC)				
Safe Overload	(%FS)	150				
Ultimate Overload	(%FS)	300				

Cross Reference	
Manufacturer	Model
Revere	RLC

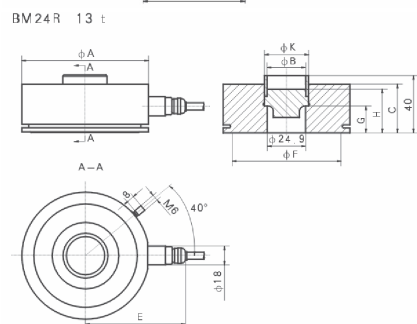
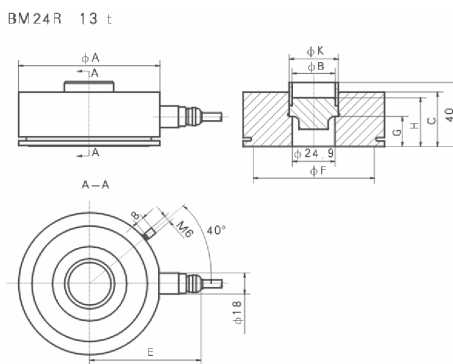
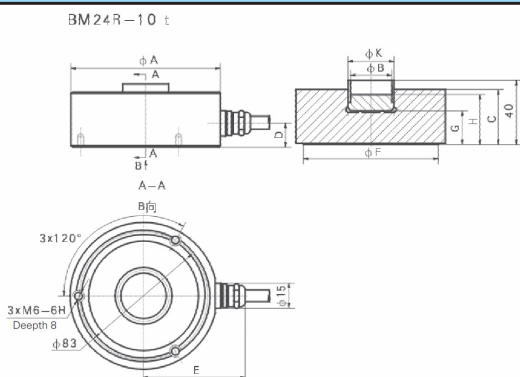
### Accessories

- BM24R 60kg-280kg
  - BJ-24-202
  - BM-24-401
- BM24R 250kg-13t
  - BJ-24-203
  - BJ-24-204
  - BM-24-402
  - BM-24-403
- BM24R 28t-60t
  - BJ-24-205



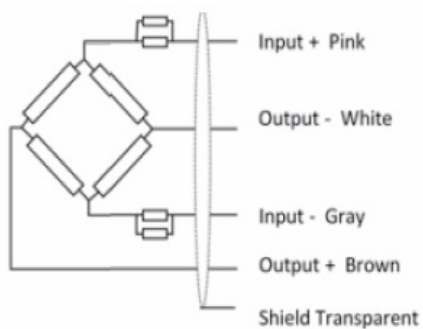
# BM24R

## Outline Dimension mm (in)



Dimension Capacity	ΦA	ΦB	C	D	E	ΦF	G	H	I	J	ΦK	SR
60kg / 130kg / 280kg	63	15.1	22	11	60	54	6	10	Φ3.2	--	--	--
0.25t/0.5t/1t	80	19	26	12.5	65	71	10	18	M10	1	25	--
2t / 3.5t	80	19	30	12.5	65	71	10	18	Φ15	6	25	--
10t	95	26	35	12.5	72	75	20.7	31.2	--	--	29	--
13t	95	26	35	20	85	79.5	20	31	--	--	29	--
28t	120	35.9	46	25	94	102	--	53	--	--	--	400
60t	140	47.9	62	34	104	124	--	69	--	--	--	600

## Wiring



- Shielded 4 conductor cable: 0.24in ±0.1mm
- Shielded 6 conductor cable
- Cable diameter: 0.2in
- Standard cable length for  
1t-3t: 10ft  
5t-10t: 13ft  
15t-50t: 16.5ft
- Shield not connected to element