

# BM8H

- Stainless steel IP68 shear beam load cell
- Hermetically sealed
- Suitable for hopper, platform and pallet scales
- High accuracy
- Current calibrated (sc-option)



### Features

- Capacities 1K~10Klb;0.5t~5t
- Low profile
- OIML Cert. No.: R60/2000-NL1-12.15
- NTEP Cert. No.: CC10-056A2



OIML test certificate no. TC8104 Revision 2  
C of C no R60/2000-NL1-13.20 Revision 1

NTEP Certificate no. 10-056A2

### Specifications

Capacity	t	0.5/1/2/5	
	Klb	1/2.5/4/5/10	
Accuracy		C3	N5
Maximum Number of Verification Intervals	Nmax	3000	5000
Minimum Number of Verification Intervals	Vmin	Emax/10000	Emax/5000
Output Sensitivity	(mV/V)	2.0±0.002	
Input Resistance	(Ω)	1000±10	350±3.5
Output Resistance	(Ω)	1000±10	351±2.0
Insulation Resistance	(MΩ)	≥5000 (50VDC)	
Zero Balance	(%FS)	1	
Temperature, Compensated	(°C)	-10~+40	
Temperature, Operating	(°C)	-35~+70	
Excitation, Recommended	(V)	5~12 (DC)	
Excitation, Max	(V)	18 (DC)	
Safe Overload	(%FS)	150	
Ultimate Overload	(%FS)	300	

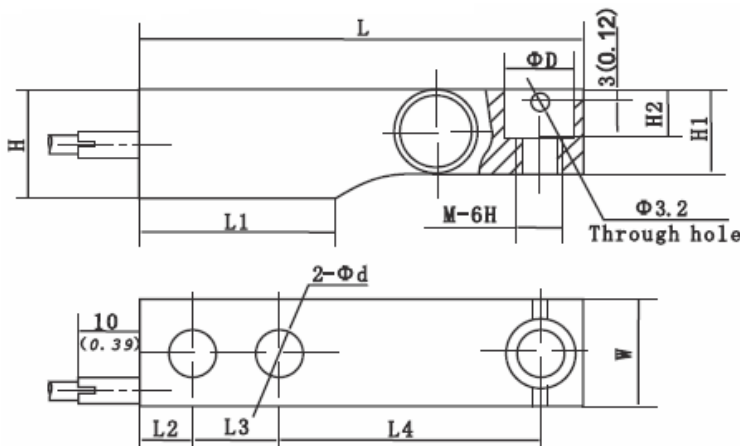
### Cross Reference

Manufacturer	Model
Revere	ACB
HBM	HLC
Celtron	HVC
Sensortronics	65084

### Accessories

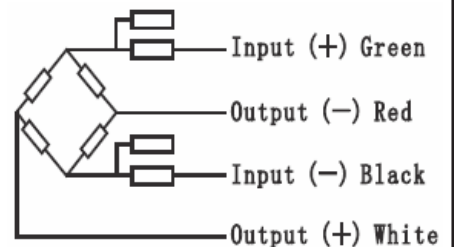
- BJ-8-206
- BJ-8-207
- BM-8-406

### Dimensions in mm (in)



Outline Dimensions mm (inch)												
Dimension	L	L1	L2	L3	L4	H	H1	H2	W	D	d	M
Capacity (t)												
500kg (1Klb)	130.0 (5.12)	57.1 (2.25)	15.5 (0.62)	25.4 (1.0)	76.2 (3.0)	31.8 (1.24)	26.0 (1.02)	14.2 (0.55)	31.8 (1.23)	20.5 (0.81)	13 (0.51)	M
1.0t (2Klb, 2.5Klb)	130.0 (5.12)	57.1 (2.25)	15.5 (0.62)	25.4 (1.0)	76.2 (3.0)	31.8 (1.24)	27.95 (1.1)	14.2 (0.55)	31.8 (1.23)	20.5 (0.81)	13 (0.51)	M12 1/2-20UNF
1.5t, 2.0t (4Klb, 5Klb)	130.0 (5.12)	57.1 (2.25)	15.5 (0.62)	25.4 (1.0)	76.2 (3.0)	35.9 (1.41)	31.95 (1.26)	14.2 (0.55)	31.8 (1.23)	20.5 (0.81)	13 (0.51)	M12 1/2-20UNF
5.0t (10Klb)	172 (6.77)	76.2 (3.0)	19.1 (0.75)	38.1 (1.5)	95.3 (3.75)	44 (1.72)	40.0 (1.57)	20 (0.78)	38 (1.48)	30.2 (1.19)	20.5 (0.8)	M20 3/4-20UNF

### Wiring



- Shielded, 6 conductor cable and 4 conductor cable for all capacities
- Cable diameter: 0.2in
- Standard cable length:  
for 500kg-1t: 3m  
for 2t-5t: 6m
- Shield not connected to element