

L6D

- Aluminum-Alloy IP65 single point load cell
- Colourless anodized
- Suitable for pricing scales, bench scales, etc
- Maximum platform size: 250x350mm

Features

- Capacities: 3kg~100kg
- High accuracy
- PTB Approval No.: D09-03.20
- OIML Cert. No.: R60/2000-CN-00.05
- NTEP Cert. No.: CC11-012



Certificate no. 11-012



test certificate no. TC7868 Revision 0
C of C no R60/2000-NL1-12.52 TC7868 revision 1

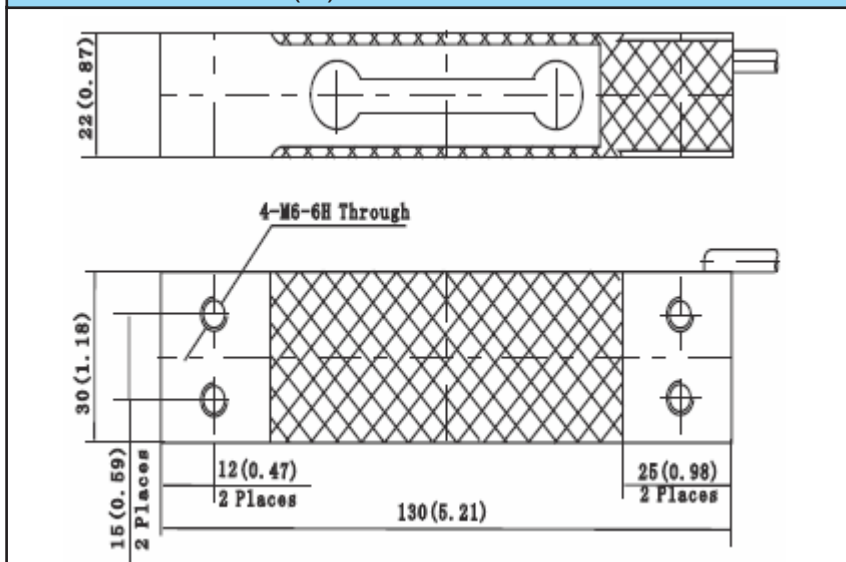
Specifications

Capacity	kg	2.5/3/5/6/8/10/15/20/30/35/40/50
Accuracy		C3
Maximum Number of Verification Intervals	Nmax	3000
Minimum Number of Verification Intervals	Vmin	Emax/7000
Output Sensitivity	(mV/V)	2.0±0.2
Input Resistance	(Ω)	406±6
Output Resistance	(Ω)	350±3
Insulation Resistance	(MΩ)	≥5000 (50VDC)
Zero Balance	(%FS)	2.0
Temperature, Compensated	(°C)	-10~+40
Temperature, Operating	(°C)	-35~+65
Excitation, Recommended	(V)	5~12 (DC)
Excitation, Max	(V)	18 (DC)
Safe Overload	(%FS)	120
Ultimate Overload	(%FS)	150

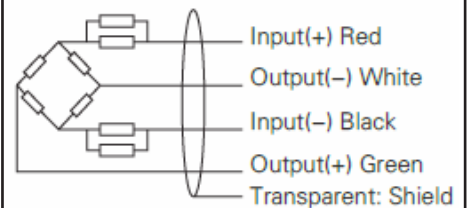
Cross Reference

Manufacturer	Model
Revere	640
HBM	PW6-2
Tedea	1022
Celtron	LPS 60kg~35kg
Coti	CI-22
Artech	61022
Rice Lake	RL 1521
BLH	C2G1
Fairbanks	4900
NMB	C2C1
Vishay	C2G1/LPS

Dimensions in mm (in)



Wiring



- Adopt shielded, 4 conductor cable: 0.2in
- Standard cable length: 10ft