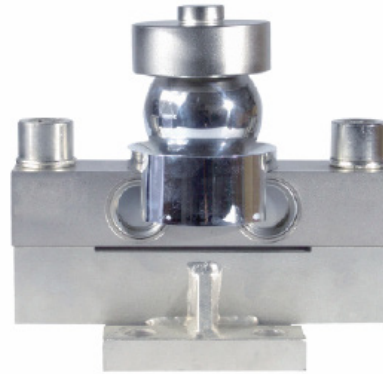


HM9B

- Nickel plated alloy steel IP68 dual shear beam load cell
- High accuracy
- Suitable for truck, track, hopper, and other electronic weighing devices
- Current calibrated (sc-option) Accessories

Features

- Capacities: 10t-50t
- High accuracy
- Alloy steel construction
- Easy installation and reliable performance
- OIML Cert.No.:R60/2000-CNI-06.06
- PTB Approval No.: D09-06.08
- Button
- Steel ball
- Ball cup
- Base plate

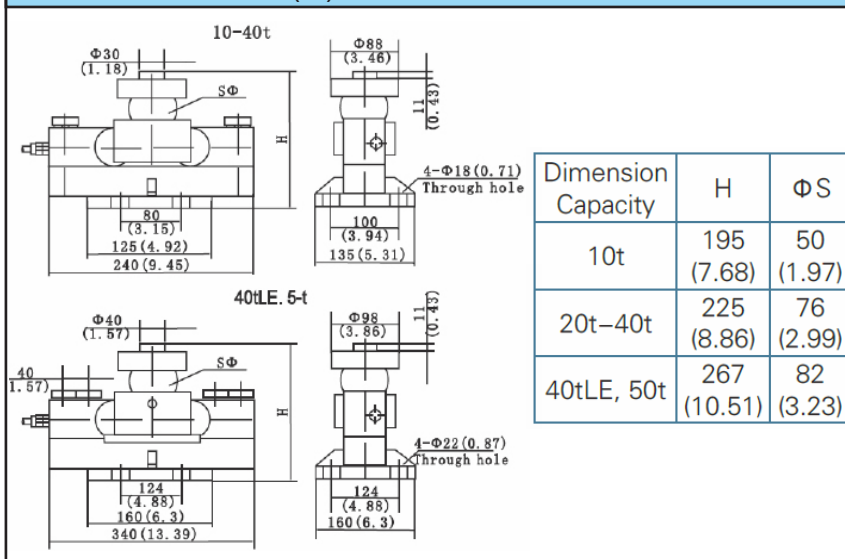


OIML test certificate no. D09-06.08
C of C no. R60/2000-CN1-06.06

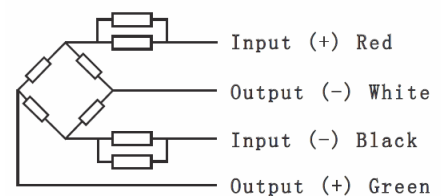
Specifications

Capacity	Klb	10/20/25/30/40/40tLE/50	
Accuracy		C3	
Maximum Number of Verification Intervals	Nmax	3000	
Minimum Number of Verification Intervals	Vmin	Emax/10000	
Output Sensitivity	(mV/V)	2.0±0.002	
Input Resistance	(Ω)	700±7	750±7
Output Resistance	(Ω)	700±7	
Insulation Resistance	(MΩ)	≥5000 (50VDC)	
Zero Balance	(%FS)	1.5	
Temperature, Compensated	(°C)	-10~+40	
Temperature, Operating	(°C)	-35~+70	
Excitation, Recommended	(V)	5~12 (DC)	
Excitation, Max	(V)	18 (DC)	
Safe Overload	(%FS)	150	
Ultimate Overload	(%FS)	300	

Dimensions in mm (in)



Wiring



- Shielded, 4 conductor cable
- Cable diameter: 0.22in
- Standard cable length: 12m
- Shield not connected to the element