

## Short Description



- Aluminium-alloy IP65 single point load cell
- Colourless anodized
- Suitable for single and double load cells structured platform scales
- Recommended maximum platform size: 600 × 600 mm
- A 1000 Ohm type is available (R1) but excluded from OIML



Test certificate no. TC11191 Rev. 1 &  
 Test certificate no. D09-03.22 Rev. 2  
 C of C no R60/2000-NL1-17.67

## Available Models

Capacity	Accuracy	Full Article Description
50kg	C3	L6G-C3-50kg-3G6
100kg	C3	L6G-C3-100kg-3G6
150kg	C3/C4	L6G-C3/C4-150kg-3G6
200kg	C3/C4	L6G-C3/C4-200kg-3G6
250kg	C3/C4	L6G-C3/C4-250kg-3G6
300kg	C3/C4	L6G-C3/C4-300kg-3G6
500kg	C3/C4	L6G-C3/C4-500kg-3G6
600kg	C3/C4	L6G-C3/C4-600kg-3G6

## Technical Specifications L6G

Accuracy Class		OIML R60 C3	OIML R60 C4
Output Sensitivity (= FS)	mV/V	2.0 ± 0.2	
Maximum Capacity ( E <sub>max</sub> )	kg	50, 100, 150, 200, 250 300, 500, 600	150, 200, 250 300, 500, 600
Max. Number of Load Cell Intervals	n <sub>LC</sub>	3000	4000
Ratio of min. LC Verification Interval	$Y = E_{max} / V_{min}$	10000	15000
Combined Error	%FS	≤± 0.020	≤± 0.015
Creep Error (30 minutes)	%FS	≤± 0.0167	≤± 0.0125
Temperature Effect on Zero (ZTC)	%FS/10°C	≤± 0.020	≤± 0.012
Temperature Effect on Sensitivity (STC)	%FS/10°C	≤± 0.0175	≤± 0.0131
Zero Balance	%FS	≤± 2.0	
Safe Overload	%FS	120	
Ultimate Overload	%FS	150	
Maximum Deflection	mm	50kg – 200kg: 0.3 ~ 0.4	250kg – 600kg: 0.4 ~ 0.7
Eccentric Loading Error	%Ld/cm	± 0.002	
Excitation, Recommended Voltage	V	5 ~ 12	
Excitation, Maximum Voltage	V	18	
Input Resistance	Ω	409 ± 6	
Output Resistance	Ω	350 ± 3	
Insulation Resistance (50V)	MΩ	≥5000	
Compensated Temperature	°C	-10 ~ + 40	
Operating Temperature	°C	-35 ~ + 65	
Storage Temperature	°C	-40 ~ + 70	
Load Cell Weight	kg	± 1.7	
Element Material		Aluminium	
Ingress Protection (acc. to EN 60529)		IP65	
Recommended Torque on Fixation Bolts	Nm	M8: 25	

## Wiring

### Features:

Cable type: Shielded, 6 conductor cable , conductor AWG 24

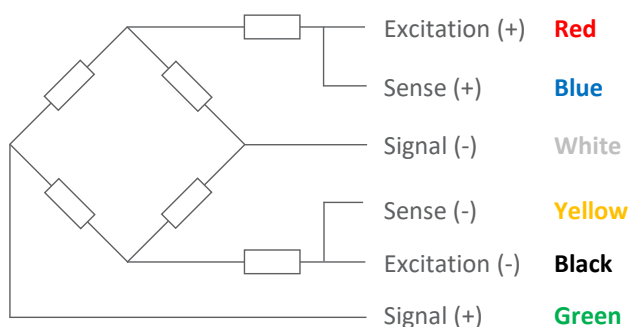
Cable diameter: Ø 5.9mm

Cable length: 3.0m

Cable jacket: PVC

Shield connected to element

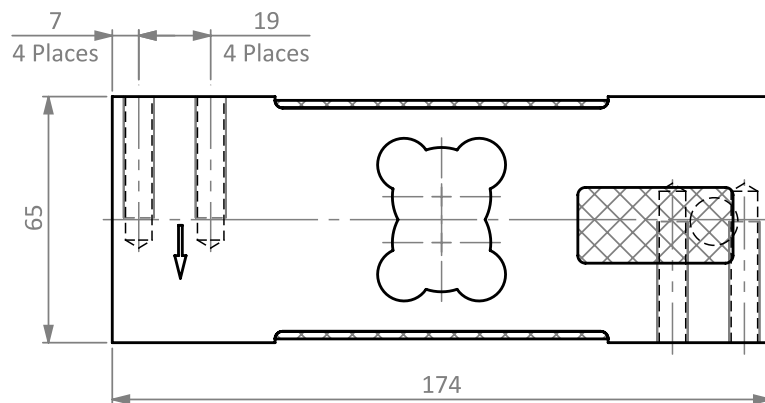
### 6-Wire Connection Diagram



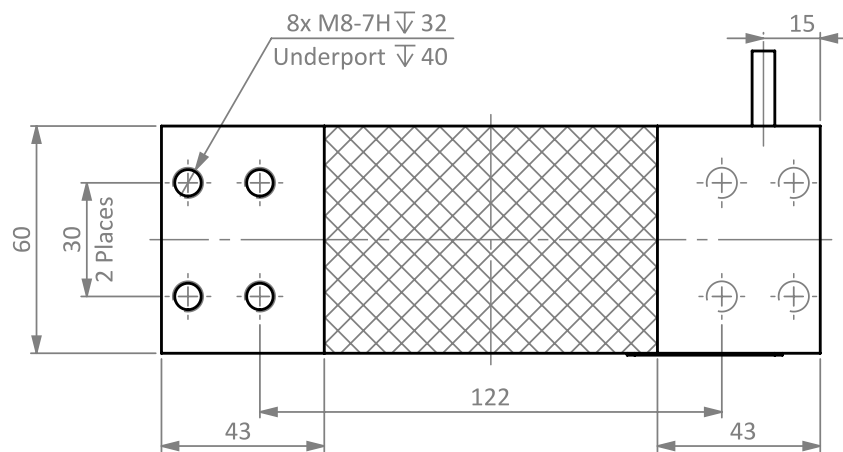
Specifications and dimensions are subject to change without notice and do not constitute any liability whatsoever.

## Dimensions in mm

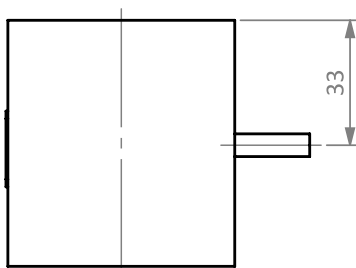
### Front View



### Top View



### Side View



### Isometric View

