

## Short Description



- Aluminium-alloy IP65 single point load cell
- Colourless anodized
- Suitable for single and double load cell structured platform scales
- Recommended maximum platform size: 600 × 600 mm



Test certificate no. D09-10.23  
C of C no R60/2000-DE1-10.11



Certificate no. 12-006

## Available Models

Capacity	Accuracy	Full Article Description
50kg	C3/C4	L6T-C3/C4-50kg-3B6
75kg	C3/C4	L6T-C3/C4-75kg-3B6
100kg	C3/C4	L6T-C3/C4-100kg-3B6
150kg	C3/C4	L6T-C3/C4-150kg-3B6
200kg	C3/C4	L6T-C3/C4-200kg-3B6
250kg	C3/C4	L6T-C3/C4-250kg-3B6
300kg	C3	L6T-C3-300kg-3B6
500kg	C3	L6T-C3-500kg-3B6
635kg	C3	L6T-C3-635kg-3B6
1000kg	C3	L6T-C3-1000kg-3B6

Specifications and dimensions are subject to change without notice and do not constitute any liability whatsoever.

## Technical Specifications L6T

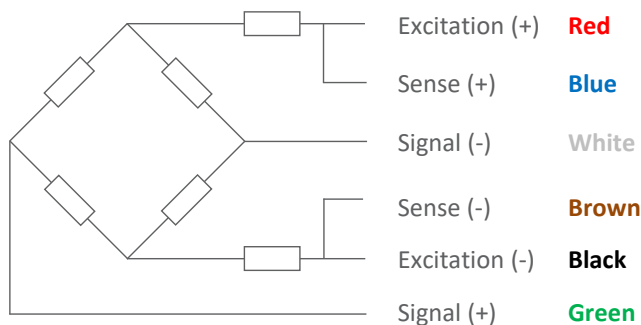
Accuracy Class		OIML R60 C3		OIML R60 C4
Output Sensitivity ( = FS )	mV/V	2.0 ± 0.2		
Maximum Capacity ( E <sub>max</sub> )	kg	50, 75, 100, 150, 200, 250	300, 500, 635, 1000	50, 75, 100, 150, 200, 250
Max. Number of Load Cell Intervals	n <sub>LC</sub>	3000		4000
Ratio of min. LC Verification Interval	Y = E <sub>max</sub> / V <sub>min</sub>	6500	15000	6500
Combined Error	%FS	≤± 0.023		≤± 0.014
Creep Error (30 minutes)	%FS	≤± 0.0167		≤± 0.0125
Temperature Effect on Zero (ZTC)	%FS/10°C	≤± 0.02		≤± 0.012
Temperature Effect on Sensitivity (STC)	%FS/10°C	≤± 0.0175		≤± 0.0131
Zero Balance	%FS	≤± 2.0		
Safe Overload	%FS	120		
Ultimate Overload	%FS	150		
Maximum Deflection	mm	50kg – 300kg: 0.4	500kg – 1t: 1.2 ~ 1.8	
Eccentric Loading Error	%Ld/cm	± 0.002		
Excitation, Recommended Voltage	V	5 ~ 12		
Excitation, Maximum Voltage	V	18		
Input Resistance	Ω	409 ± 6		
Output Resistance	Ω	350 ± 3		
Insulation Resistance (50V)	MΩ	≥5000		
Compensated Temperature	°C	-10 ~ + 40		
Operating Temperature	°C	-35 ~ + 65		
Storage Temperature	°C	-40 ~ + 70		
Load Cell Weight	kg	1.95		
Element Material		Aluminium		
Ingress Protection (acc. to EN 60529)		IP65		
Recommended Torque on Fixation Bolts	Nm	M8: 25		

## Wiring

### Features:

Cable type: Shielded, 6 conductor cable , conductor AWG 26  
 Cable diameter: Ø 4.8m  
 Cable length: 3.0m  
 Cable jacket: PVC  
 Shield not connected to element

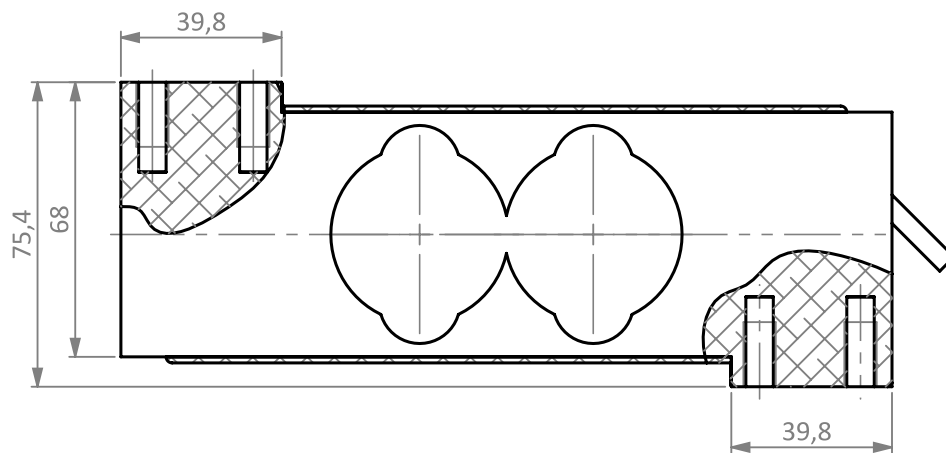
### 6-Wire Connection Diagram



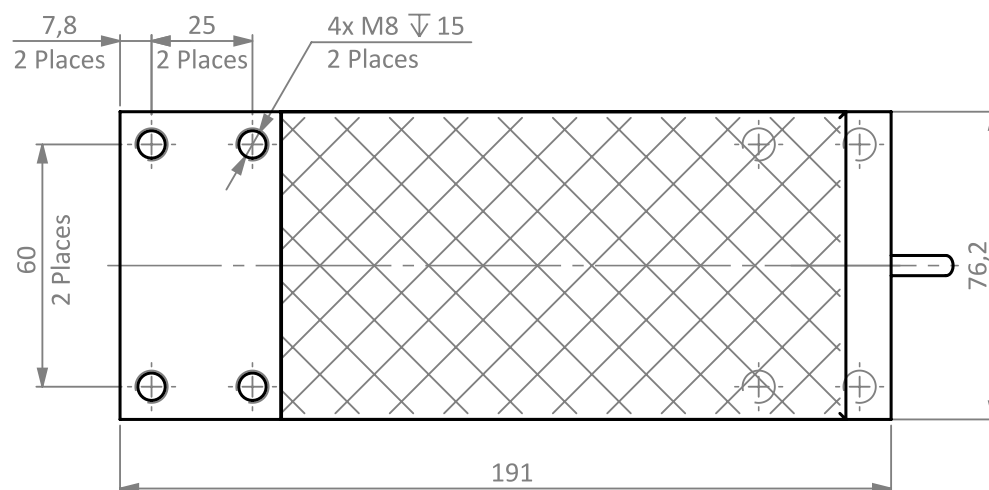
Specifications and dimensions are subject to change without notice and do not constitute any liability whatsoever.

## Dimensions in mm

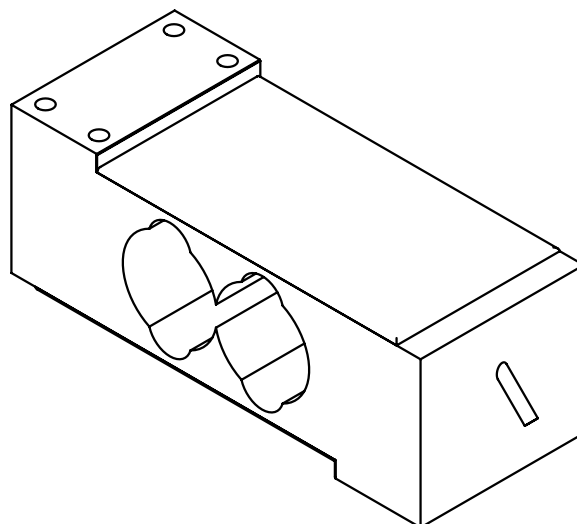
### Front View



### Top View



### Isometric View



Specifications and dimensions are subject to change without notice and do not constitute any liability whatsoever.