

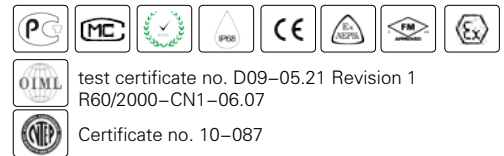
BM14G



- Stainless steel IP68 compression load cell
- Hermetically sealed
- Suitable for hopper scales and vehicle testing facilities
- Built in surge arrestors
- Current calibrated (sc-option)

Available models

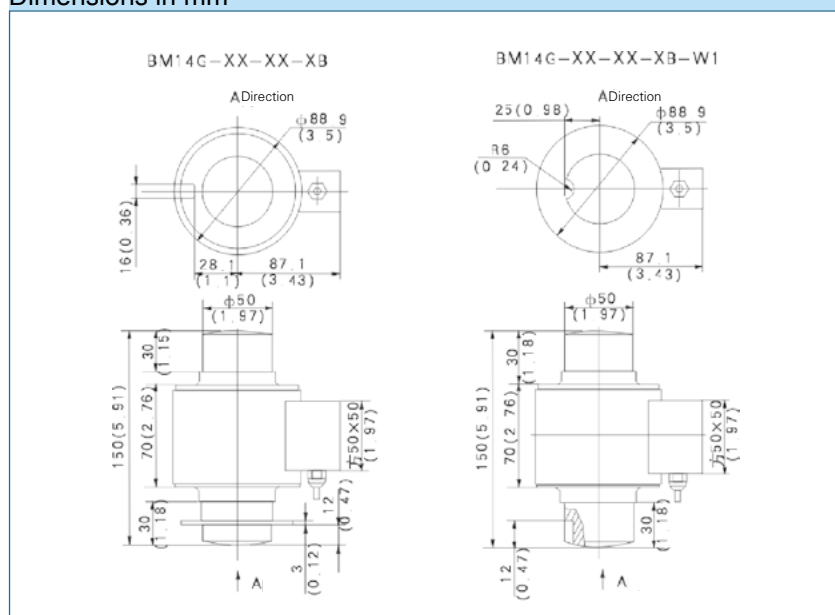
xxt	C3/A5M/B10M	BM14G-xx-xxt-15B-SC
OIML Certificate (10t-50t C3 Class).		
NTEP A5M/B10M Certificate (10t-50t).		
SC: output in mv/v/ohm		



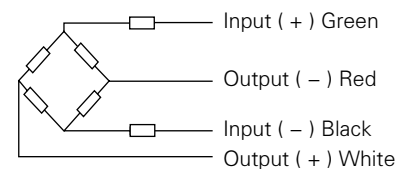
Specification

Maximum capacity (Emax)	t	10/20/30/40/50			
		C3	C4	B10M	A5M
Accuracy class		C3	C4	B10M	A5M
Approvals		OIML R60 C3			
Maximum number of load cell intervals (nLC)		3000	4000	10000	5000
Ratio of minimum LC verification interval $Y = E_{max} / v_{min}$		10000	14000	10000	15000
Combined error	%FS	± 0.020	± 0.018	± 0.05	± 0.026
Creep	%FS/30min	± 0.016	± 0.012	± 0.04	± 0.017
Temperature effect on sensitivity	%FS/10°C	± 0.011	± 0.009	± 0.04	± 0.013
Temperature effect on zero	%FS/10°C	± 0.015	± 0.010	± 0.02	± 0.014
Output sensitivity (= FS)	mV/V	2.0 ± 0.02			
Input resistance	Ω	700 ± 7			
Output resistance	Ω	703 ± 4			
Insulation resistance	MΩ	≥ 5000(50VDC)			
Zero balance	%FS	± 1.0			
Compensated temperature	°C	-10 ~ +40			
Operating temperature	°C	-35 ~ +70			
Excitation, recommended voltage	V	5 ~ 12(DC)			
Excitation maximum	V	18(DC)			
Safe overload	%FS	150			
Ultimate overload	%FS	300			
ATEX classification (optional)		II1G Ex ia II1C T4	II1D Ex iaD20 T73°C	II3G Ex nL II C T4	

Dimensions in mm



Wiring



- Shielded, 4 conductor cable
- Cable Diameter: Φ5mm
- Standard cable length: 15m
- Shield is not connected to element

Note:

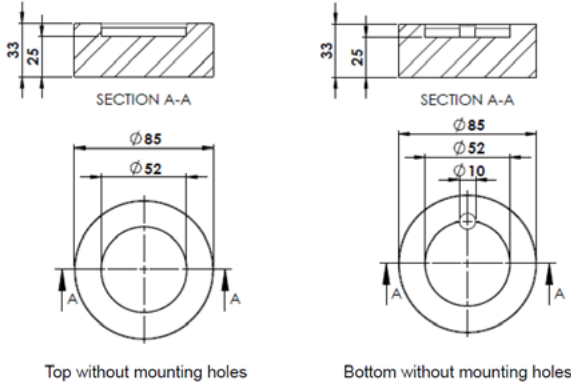
- BM14G-XX-XX-XB type is not suitable for the following countries: UK, France, Germany, Italy, The Netherlands.
- Users can choose different structures of BM14G products, or contact with ZEMIC sales representatives for further products information.

Accessories

BY-14-125-10t/50t



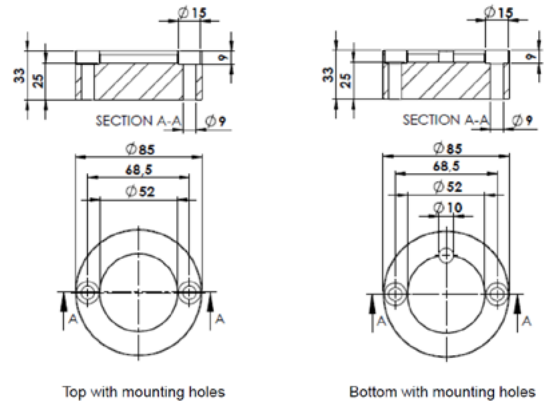
1 piece, top with mounting holes
1 piece, bottom without mounting holes



BY-14-126-10t/50t

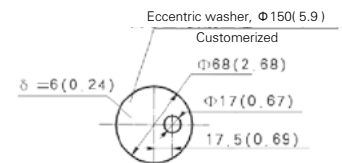
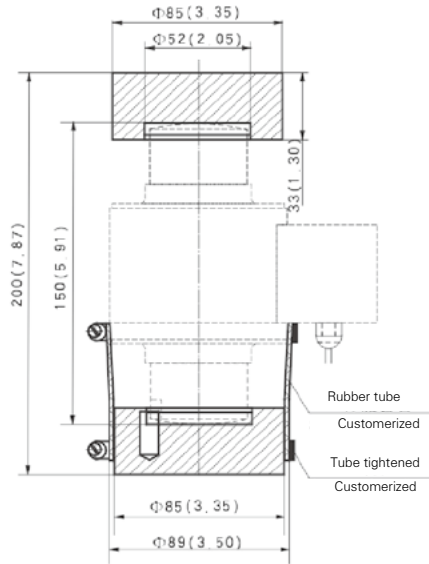


1 piece, top with mounting holes
1 piece, bottom with mounting holes



BY-14-108

Stainless steel, assembled with: BM14G(-W1)



Capacity	Part number
10t-50t	BY-14-108-10/50t

Short description

Easy installation, good self-aligning ability, anti-reversal ability.